

## TRAVEL DRIVES 700C Series



### PRODUCT FEATURES

- Torque ratings up to 130.000 Nm.
- Extremely compact design, with very high torque output
- Planetary gear units with up to 3 reduction stages.
- Rotating flange with large PCD, suitable for sprocket, roller or wheel mounting.
- Also available in the following configurations:
  - complete with axial pistons hydraulic motor,
  - complete with orbital hydraulic motor,
  - to suit numerous types of hydraulic motors (out of scope)
- Case hardened gears with addendum modification for increased strength.
- High capacity bearings withstand heavy radial and axial loads and impacts.
- Rugged dependable lifetime seals.
- Hydraulically released failsafe parking brakes, multidisc type, spring operated, available on request.

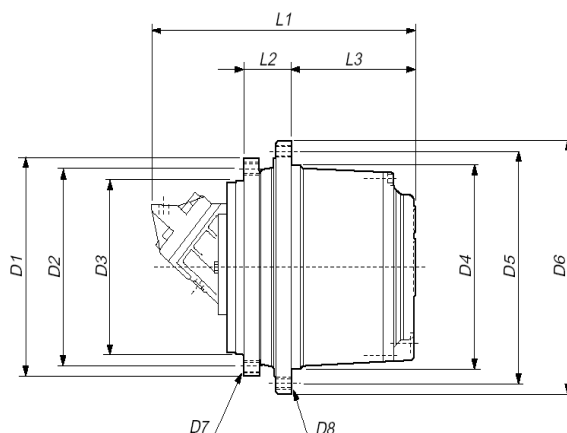
## TRAVEL DRIVE 700C Series

### Technical Informations

Type	Max. torque	Ratios 1:	Max. input speed min -1	Hydraulic motor drive (1)	Braking torque Nm	Min. opening pressure bar	Weight Kg
	Nm						
700 C1 H	1000	5.25	1000	LS	140 - 250	15 - 25	20
701 C1	2200	6.2	1000	LS	250 - 350	20 - 30	25
703 C2 H	4000	19 - 40	3500	HS	210	18	42
705 C2 H	10000	22 - 53	3500	HS	220 - 310	10 - 20	60
706 C3 H	18000	68 - 173	3500	HS	250 - 500	10 - 20	95
707 C3 B	23000	63 - 122	3500	HS	250 - 500	10 - 20	135
709 C3 B	30000	63 - 145	3500	HS	250 - 600	10 - 20	180
710 C3 B	36000	54 - 113	3500	HS	250 - 600	10 - 20	200
711 C3 B	45000	89 - 173	3500	HS	400 - 800	10 - 20	270
713 C3 B	60000	81 - 142	3000	HS	400 - 800	10 - 20	310
715 C3 B	85000	108 - 156	3000	HS	600 - 1000	10 - 20	350
717 C3 H	130000	148 - 210	3000	HS	800 - 1200	10 - 20	630

(1) LS = Low speed motor, HS = High speed motor

### Dimensions



Type	Dimensions										
	D1	D2	D3	D4	D5	D6	D7	D8	L1	L2	L3
700 C1 H	195	175	155	160	180	200	M 10x1.5 n° 8	M 10x1.5 n° 8	200	40	80
701 C1	230	200	180	190	210	230	M 10x1.5 n° 8	M 10x1.5 n° 8	220	40	105
703 C2 H	270	230	190	200	240	280	M 16x2 n° 8	M 20x1.5 n° 8	365	72	128
705 C2 H	270	230	190	220	260	300	M 16x2 n° 12	M 16x2 n° 16	370	72	158
706 C3 H	330	300	270	280	330	370	M 16x2 n° 18	M 16x2 n° 18	470	115	190
707 C3 B	380	285	240	320	380	410	M 20x2.5 n° 20	M 16x2 n° 20	460	82	230
709 C3 B	380	285	240	350	400	435	M 20x2.5 n° 20	M 20x2.5 n° 16	495	91	235
710 C3 B	375	340	300	350	400	435	M 20x2.5 n° 20	M 20x2.5 n° 16	520	91	253
711 C3 B	425	325	290	410	455	490	M 20x2.5 n° 24	M 20x2.5 n° 24	550	110	265
713 C3 B	425	325	290	410	455	490	M 20x2.5 n° 24	M 20x2.5 n° 24	565	110	280
715 C3 B	500	460	420	460	510	550	M 20x2.5 n° 24	M 20x2.5 n° 24	652	130	315
717 C3 H	570	510	450	560	610	660	M 30x3.5 n° 20	M 24x3 n° 24	735	170	350

For further information please ask for cat. HT 08/B/01A/91

All information are given without engagement.

Hansa - TMP cannot accept responsibility for possible error in catalogues, brochures or other printed material.

Hansa - TMP reserves the right to modify its products without notice.