

TRAVEL DRIVES for MINI-EXCAVATOR and EXCAVATORS 700CK Series



PRODUCT FEATURES:

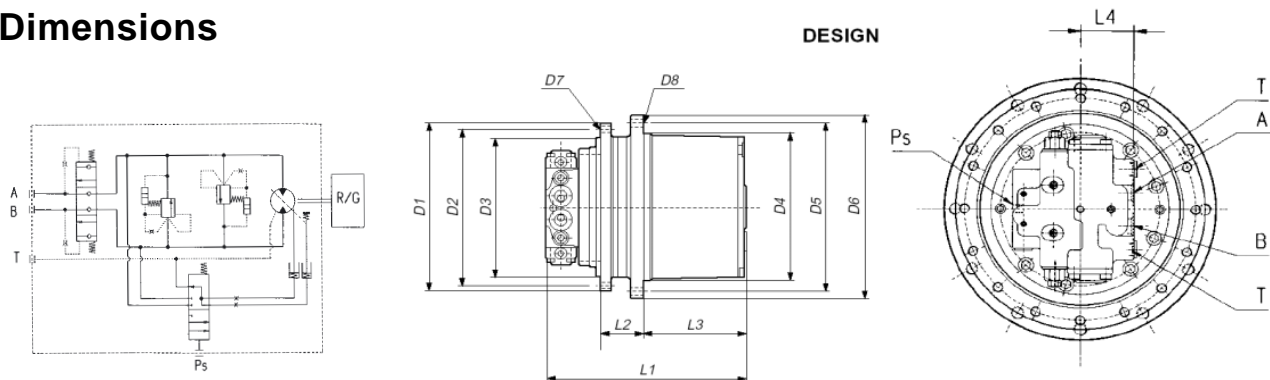
- Torque ratings up to 85.000 Nm.
- Operating pressure up to 350 bar.
- Oil flow rates up to 250 l/min.
- Can accommodate machines up to 45 tons weight.
- Extremely compact design with very high torque output.
- Planetary gear units with rotating housing; 2 or 3 reduction stages.
- Rotating flange with large PCD to accommodate sprocket.
- Variable displacement hydraulic motors allow for double speed range (operating and travelling).
- Hydraulic motors come complete with:
 - Counterbalance valves, pressure relief valves, hydraulically released failsafe parking brake directly operated through the motor (no separate piping required).
- Gears are case hardened with addendum modified profiles for increased strength.
- Large capacity bearings withstand very high radial and axial loads and impacts.
- Rugged, dependable lifetime seals.
- Lubrication of the gear units is separated from the hydraulic motors.

TRAVEL DRIVE for EXAVATORS and MINI-EXCAVATORS 700CK Series

Technical Information

Type	Max. Torque Nm	Motor Displacement max. / min. cm ³ /n	Max. Pressure bar	Max Flow lt/min.	Ratios 1 : ...	2° Speed Control Min. Pressure	Parking Brake Torque Nm	Weight kg	Approx Weight of Machine Ton
700 C2 K	1200	12-5,5	210	20	32-41	6	25	20	1,6
700-2C2 K	1900	18-9	210	30	30-42	6	25	25	2
701 C2 K	2500	18-11,6	250	35	30-53	6	25	25	3
702 C2 K	3500	26,3-13,4	250	45	37-53	6	40	35	4
704 C2 K	5000	33,8-19	250	60	45-53	6	40	60	5,5
705 C2 K	9000	50,9-25,4	320	92	24-53	6	50	70	7
706 C3 K	12500	50,9-25,4	320	92	79-128	10	50	80	9
707 C2 K	18500	87,3-50,4	350	150	23-46	10	400	140	13
707 C3 K	26000	87,3-50,4	350	150	50,5	10	240	150	15
709 C3 K	30000	87,3-50,4	350	150	55-84	10	400	225	18
710 C3 K	36000	138-77	350	250	55-65	10	400	230	22
713 C3 K	60000	170-96,6	350	250	38-108	10	400	300	35
715 C3 K	85000	181-100	350	250	62-156	10	400	380	45
718 C3 K	180000	340-196	350	500	85-108	40	2000	900	65

Dimensions



Type	Dimensions														
	D1	D2	D3	D4	D5	D6	D7	D8	L1	L2	L3	L4	A-B	T	Ps
700 C2 K	175	155	140	140	155	175	M10x1,5 n°8	M10x1,5 n°8	202	45	93	40	1/4"	1/4"	1/4"
700-2C2 K	190	170	150	160	180	200	M10x1,5 n°8	M10x1,5 n°8	223	40	108	39	3/8"	1/4"	1/4"
701 C2 K	215	192	165	190	215	240	M12x1,75 n°9	M12x1,75 n°9	300	50	125	45	1/2"	1/4"	1/4"
702 C2 K	215	192	165	204	232	255	M12x1,75 n°9	M12x1,75 n°9	285	70	115	45	1/2"	1/4"	1/4"
704 C2 K	264	240	200	230	262	286	M14x2 n°9	M14x2 n°9	345	68	167	46	1/2"	3/8"	1/4"
705 C2 K	268	244	210	230	260	286	M14x2 n°12	M14x2 n°12	340	75	144	50	1/2"	3/8"	1/4"
706 C3 K	308	280	246	280	330	370	M16x2 n°20	M16x2 n°12	412	100	193	50	1/2"	3/8"	1/4"
707 C2 K	350	320	280	300	340	370	M16x2 n°16	M16x2 n°20	440	91	210	84	3/4"	1/2"	1/4"
707 C3 K	350	320	280	300	340	370	M16x2 n°16	M16x2 n°20	470	91	240	84	3/4"	1/2"	1/4"
709 C3 K	375	340	300	330	370	400	M16x2 n°30	M16x2 n°30	455	99,5	243	84	3/4"	1/2"	1/4"
710 C3 K	375	340	300	350	400	435	M16x2 n°30	M20x2,5 n°16	500	91	253	84	3/4"	1/2"	1/4"
713 C3 K	480	440	380	410	455	490	M24x3 n°18	M20x2,5 n°24	570	100	278	90	1"	1/2"	1/4"
715 C3 K	500	460	420	460	510	550	M20x2,5 n°24	M20x2,5 n°24	605	130	315	90	1"	1/2"	1/4"
718 C3 K	570	510	450	576	626	670	M24x3 n°30	M24x3 n°30	730	170	350	118	1"	3/4"	1/4"

All information are given without engagement.

Hansa – TMP cannot accept responsibility for possible error in catalogues, brochures or other printed material.

Hansa – TMP reserves the right to modify its products without notice.